

Rack Mount

Various Kikusui products can be easily mounted in a rack by using a bracket and rack mount frame, rack adaptor, etc.

JIS standards (millimeter size) and EIA standards (inch size) racks are available. Brackets and rack mount frames, rack adaptors, etc. applicable to each type are also available. Since the width of one panel is 50mm for JIS Standards and 44.45mm for EIA Standards, the bracket and rack mount frame, etc. of the panel width matched to the product body are selected based on one panel width.

Racks

The KRO Series are designed in accordance with both JIS Standards and EIA Standards.

Since these racks are equipped with support angle as standard, even heavy products can be mounted. (With products weighing more than 70kg, use a rack with brackets.)

The KRO Series conforms both JIS and EIA standards simply replacing the front panel with the rear panel.

The KRC series is a multifunctional decorative rack that is based on a steel cabinet rack and designed to allow the attachment of various rack options.

In addition to having models that meet two different standards (JIS and EIA) and being available in two overall heights (1,835 mm and 1,435 mm), this series comes in depths of 800 mm and 950 mm (two types), giving it eight models in all. Also, additional support angles

(two types), base fittings and suspension eyebolts are available as separately sold options.

The Enclosed type rack (Custom Product on request)

The rack system that will be used for concerning the heat generated from the Power Supplies, considerable amount of the dust as an environmental condition, metal corrosion occurred such as at plating factory, an electrolytic chemical synthesis factory.

(*The water cooled unit will be built in the system which require for the water pipe and drain)

Model	Pay load weight kg	Number of panels		Overall height mm	Weight kg	The length for maximum surface	Support angle	Support leveler	Options								
		JIS	EIA						Support angle	Base hold angle	Eyebolt						
Open rack (KRO series)	Approx. 300	32	36	1825	55	700	12 (6 pairs)	4									
												25	28	1475	50	10 (5 pairs)	
																	18
Decorative rack (KRC series)	Approx. 300	36	36	1835	95	950	12 (6 pairs)	4									
												KRC273L	27	1435	85	10 (5 pairs)	
Decorative rack (KRC series) Production item upon order	Approx. 300	32	36	1835	90	800	12 (6 pairs)	4	OP01-KRC OP02-KRC *1	OP03-KRC *2	OP04-KRC *3						
												KRC363	27	1435	75	10 (5 pairs)	
																	KRC273
												KRC1603	32	1835	90	800	
																	KRC1603L
												KRC1203	24	1435	75	800	
KRC1203L	24	1435	85	950	10 (5 pairs)												

• The KRO Series payload weight can be increased to approximately 400kg by changing the casters.

• The KRO Series are sold in kit form.

• The support angle is designed for Kikusui racks and products. It is not interchangeable with products of the other manufacturer.

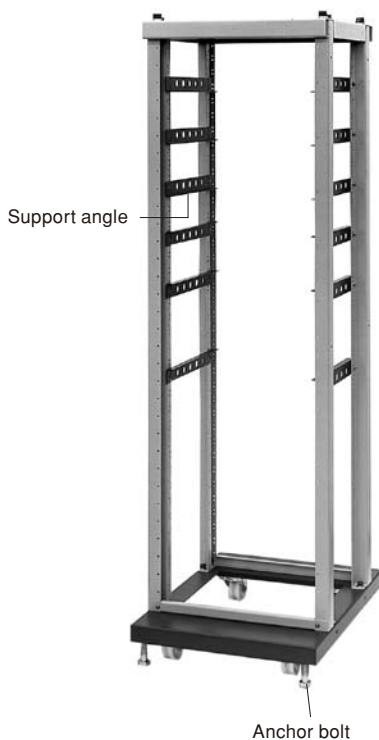
*1: These support angles (OP01-KRC) are equivalent to the support angles incorporated into the main rack unit.

They come in a two-item (1-pair) set. When the product weight exceeds 70 kg, use a weight support angle (OP02-KRC).

*2: These L-shaped fittings (OP03-KRC) secure the base of the rack to the floor. The set includes four main fitting components and the bolts and nuts that secure the fittings to the bases.

*3: These eyebolts (OP04-KRC) are specially made for the KRC series. The set includes four M12 eyebolts.

KRO Series



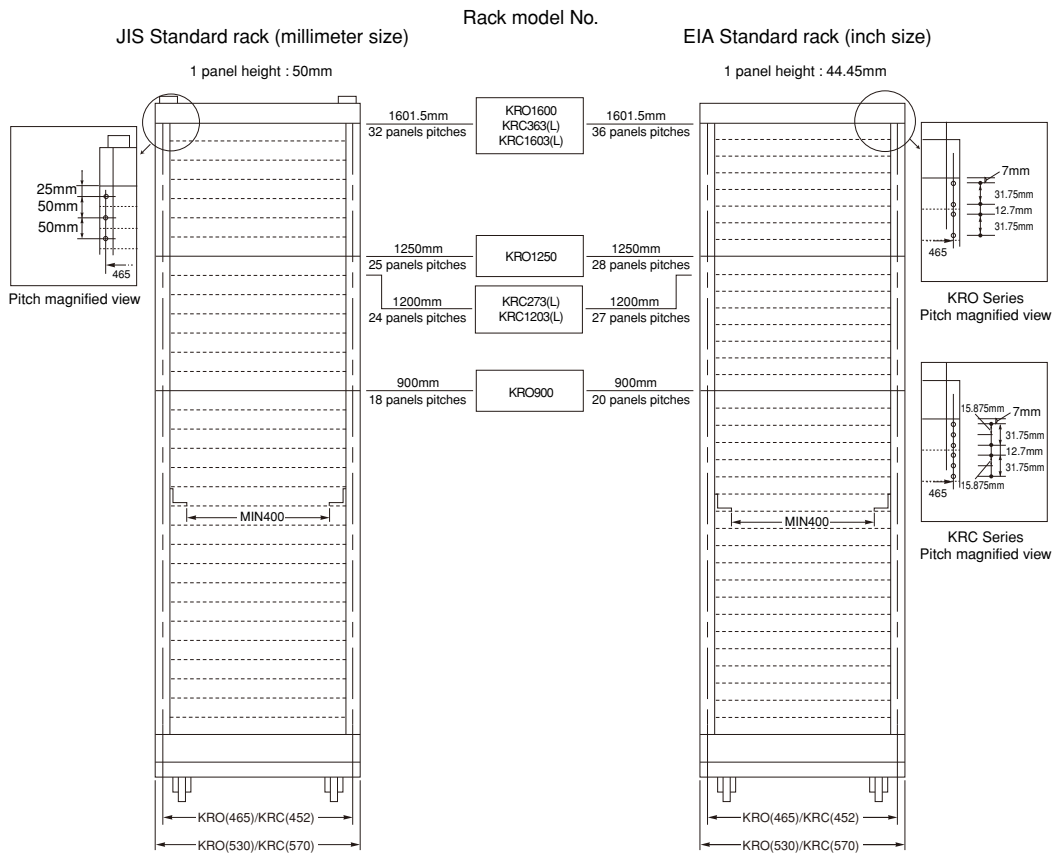
KRC Series



The Enclosed type rack



Racks Mount

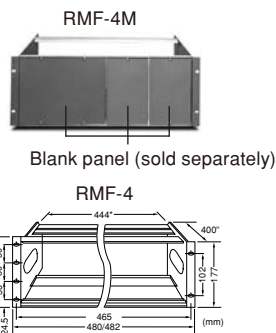


Racks & Accessories

■ For use with rack mounting frame and special brackets
 RMF4 and RMF4M are rack mount frames to be used with standard racks. Designed to meet the EIA/JIS standards, they are used to install models ranging from 1/2 rack to 1/6 rack in width using a rack mount frame bracket.

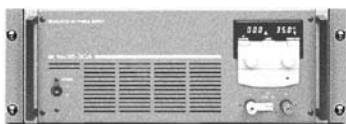
Complied products

- PAN-A Series
- PLZ-W2 Series



■ Bracket

The bracket can be used to install models of 1 (1/1) rack in width directly in the rack.



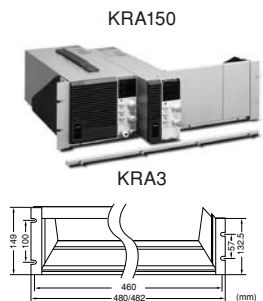
Sample for the bracket (Pair of right and left portion)

■ For use with rack adapter

KRA3 and KRA150 are rack adapters conforming to EIA/JIS standards to be used with standard racks. Power supplies can be stored without using brackets.

Complied products

- PWR Series (400/800W)
- PAS Series
- PAK-A Series
- PMC-A Series
- PMC Series
- PMP Series
- PMR Series
- PCR500M
- PLZ-3WH Series (TYPE I)
- PLZ-4W Series (TYPE I)
- PIA3200/4800 Series



■ Blank panel

When using brackets to install models liable to give off heat, it is necessary to provide at least the minimum number of blank panels required for each model. Plate-type panels and mesh-type blank panels are also available.



Sample for the blank panel

EIA Standard Rack (Inch Size) Mounting Options

Product name	Bracket			Blank panel	Rack mount frame			Rack adaptor				
	Series	Type	Width	Bracket model No.	Panel width(*)	"M" is added for mesh type	Rack mount frame model No.	Panel width(*)	Bracket necessary when fastening mainframe to rack mount frame	Rack adaptor model No.	Panel width(*)	
DC power supply	PAD-L	II ¹	1	BH4	4(*1)	BP191A-M						
		II ³	1	BH2	2(*1)	BP191-M						
	PAD-LA	III	1	KRB5-PAD	5	BP191-M						
		IV	1	KRB11-PAD	11	BP191-M						
	PAT-T		1	KRB3-TOS	3							
	PAN-A	0	1/4			BP191-M		RMF4	4(*1)	B42		
		I ² [I ³]	1/2			BP191-M		RMF4	4(*1)	B22		
		II	1	BH4	4(*1)	BP191A-M						
	PAK-A	I	1/6								KRA3	3
		II	1/3								KRA3	3
		III	1/2								KRA3	3
	PAS	I	1/6								KRA3	3
		II	1/3								KRA3	3
		III	1/2								KRA3	3
	PAM	2kw	1	KRB3-TOS	3							
		4kw	1	KRB6-PAM	6							
	PVS	1200	1	Supplied as standard(*4)	1							
		2800	1	Supplied as standard(*4)	2							
	PVD-T	6kw	1	Supplied as standard	3							
		12kw	1	Supplied as standard	6							
PWR	400	1/4								KRA3	3	
	800	1/2								KRA3	3	
	1600	1	KRB3-TOS	3								
PAX/PBX		1	KRB3	3								
PMC-A/PMC		1/4			BP191-M					KRA3(*3)	3	
PMR/PMP		1/3			BP191-M					KRA3(*1)	3	
AC power supply	PCR-M	500	1/2							KRA3	3	
		1000/2000	1	KRB3-TOS	3							
	PCR-LA	500	1	KRB5	5							
		1000	1	KRB8	8							
		2000	1	KRB11	11							
		4000	1	KRB19	19							
		6000	1	KRB25(*5)	25							
	PCR-W	2000	1	KRB8(*2)	8							
		4000	1	KRB11(*2)	11							
		8000	1	KRB19(*2)	19							
12000		1	KRB25(*5)	25								
PCR-W2	6000	1	KRB19(*2)	19								
Electronic Load	PLZ-4W	I	1/2							KRA3	3	
		II	1	KRB3-TOS	3							
	PLZ2004WB		1	KRB3-TOS	3							
	PLZ-U	PLZ-30F	2/3	KRB3-PLZ-30F	3							
		PLZ-50F	1	KRB3-PLZ-50F	3							
	PLZ-3WH	I	1/2								KRA3	3
II		1	KRB3	3								
PLZ-W2	I	1/6			BP191-M		RMF4	4(*1)	B24(B11)			
	II	1/3			BP191-M		RMF4	4(*1)	B24(B11)			
Power supply controller	PIA4810/4820		1/3			BP191-M	RMF4	4(*1)	B2-PIA4810/4820	KRA3	3	
	PIA4830		1/6			BP191-M				KRA3	3	
	PIA3200		1/6			BP191-M	RMF4	4(*1)	B4-PIA	KRA3	3	

* : EIA panel width is 44.45mm (1 3/4 inch). The panel width does not include the rubber feet, casters, and levelers.
 *1 : Since there are force-aid cooling intake holes in the side or top and bottom of the mainframe, when mounting in the rack, the blank panel at least 1 panel wide must be installed.
 *2 : A support angle specially designed for the racks is supplied.
 *3 : Since those applied models were designed for the type of "Natural Cooling" unit, so it is required to have countermeasure for enough radiation of the heat when used with rack mounting system.

*4 : A supporting angle (KRB1-PVS) is needed additionally when stacks multiple number of PVS power supplies.
 *5 : Model KRB1150 and KRB25 will be the production item upon order.
 • When PIA4800 and PIA3200 power supply controller are rank-mounted together with the power supply, the rank mount frame and rack adaptor are necessary to be added depending on the series of the connected power supply.

JIS Standard Rack (Millimeter Size) Mounting Options

Product name	Bracket		Blank panel		Rack mount frame			Rack adaptor			
	Series	Type	Width	Bracket model No.	Panel width(*)	"M" is added for mesh type	Rack mount frame model No.	Panel width(*)	Bracket necessary when fastening mainframe to rack mount frame	Rack adaptor model No.	Panel width(*)
DC power supply	PAD-L	II ¹	1	BH4M	4(*1)	BP1H-M					
		II ³	1	BH2M	2(*1)	BP1H-M					
	PAD-LA	III	1	KRB250-PAD	5	BP1H-M					
		IV	1	KRB500-PAD	10	BP1H-M					
	PAT-T			KRB150-TOS	3						
	PAN-A	0	1/4			BP1H-M	RMF4M	4(*1)	B42		
		I ₂ [I ₃]	1/2			BP1H-M	RMF4M	4(*1)	B22		
		II	1	BH4M	4(*1)	BP1H-M					
	PAK-A	I	1/6							KRA150	3
		II	1/3							KRA150	3
		III	1/2							KRA150	3
	PAS	I	1/6							KRA150	3
		II	1/3							KRA150	3
		III	1/2							KRA150	3
	PAM	2kw	1	KRB150-TOS	3						
		4kw	1	KRB300-PAM	6						
	PVS	1200	1	Supplied as standard(*4)	1						
		2800	1	KRB100-PVS	2						
	PVD-T	6kw	1	Supplied as standard	3						
		12kw	1	Supplied as standard	6						
PWR	400	1/4							KRA150	3	
	800	1/2							KRA150	3	
	1600	1	KRB150-TOS	3							
PAX/PBX		1	KRB150	3							
PMC-A/PMC		1/4			BP1H-M				KRA150(*3)	3	
PMR/PMP		1/3			BP1H-M				KRA150(*1)	3	
AC power supply	PCR-M	500	1/2							KRA150	3
		1000/2000	1	KRB150-TOS	3						
	PCR-LA	500	1	KRB250	5						
		1000	1	KRB400	8						
		2000	1	KRB500	10						
		4000	1	KRB850	17						
		6000	1	KRB1150(*5)	23						
	PCR-W	2000	1	KRB400(*2)	8						
		4000	1	KRB500(*2)	10						
		8000	1	KRB850(*2)	17						
12000		1	KRB1150(*5)	23							
PCR-W2	6000	1	KRB850(*2)	17							
Electronic Load	PLZ-4W	I	1/2							KRA150	3
		II	1	KRB150-TOS	3						
	PLZ2004WB		1	KRB150-TOS	3						
	PLZ-U	PLZ-30F	2/3	KRB150-PLZ-30F	3						
		PLZ-50F	1	KRB150-PLZ-50F	3						
	PLZ-3WH	I	1/2							KRA150	3
II		1	KRB3	3							
PLZ-W2	I	1/6			BP1H-M	RMF4M	4(*1)	B24(B11)			
	II	1/3			BP1H-M	RMF4M	4(*1)	B24(B11)			
Power supply controller	PIA4810/4820		1/3			BP1H-M	RMF4	4(*1)	B2-PIA4810/4820	KRA150	3
	PIA4830		1/6			BP1H-M				KRA150	3
	PIA3200		1/6			BP1H-M	RMF4	4(*1)	B4-PIA	KRA150	3

* : JIS panel width is 50mm. The panel width does not include the rubber feet, casters, and levelers.
 *1 : Since there are forced-air cooling holes in the side or top and bottom of the mainframe, when mounting in the rack, the blank panel at least 1 panel width must be installed.
 *2 : A support angle specially designed for the racks is supplied.
 *3 : Since those applied models were designed for the type of "Natural Cooling" unit, so it is required to have countermeasure for enough radiation of the heat when used with rack mounting system.

*4 : A supporting angle (KRB1-PVS) is needed additionally when stacks multiple number of PVS power supplies.
 *5 : Model KRB1150 and KRB25 will be the production item upon order.

• When PIA4800 and PIA3200 Power Supply Controller are rack-mounted together with the power supply, the rack mount frame and rack adaptor are necessary to be added depends on the series of the connected power supply.

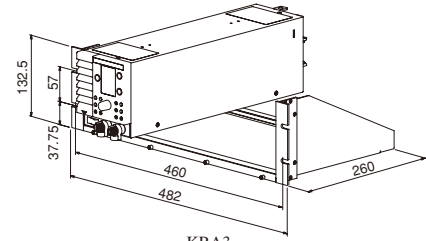
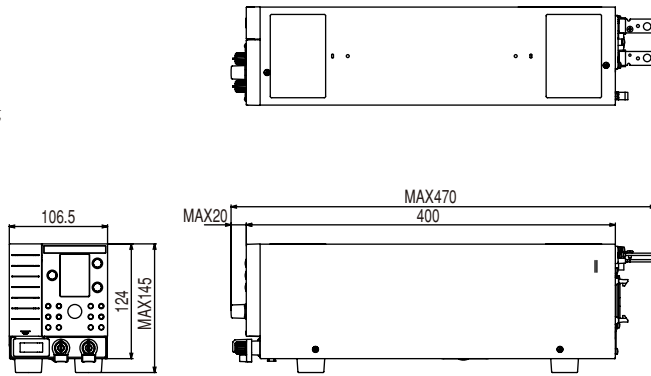
PWR Series External dimensional diagrams / Rack Mount Option

Unit:mm

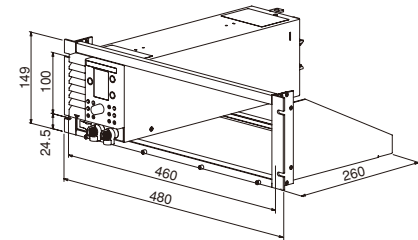
400W TYPE (4 units can be rack mounted)

PWR400L/PWR400M/PWR400H

- Output (Rear) M8
- (Front) M6
- Input AC inlet
- Accessory power cable approx. 2.4m long



KRA3

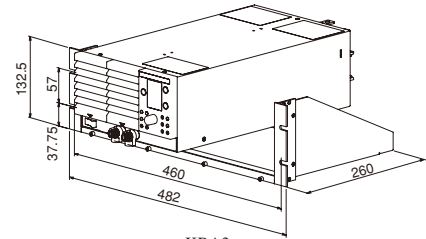
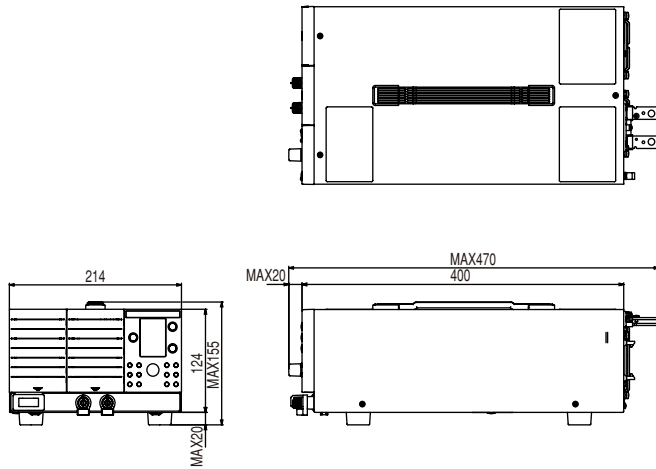


KRA150

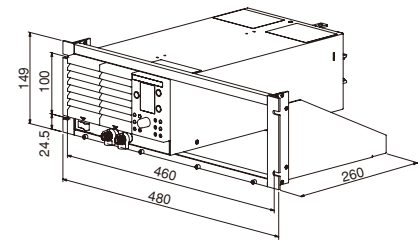
800W TYPE (2 units can be rack mounted)

PWR800L/PWR800M/PWR800H

- Output (Rear) M8
- (Front) M6
- Input AC inlet
- Accessory power cable approx. 3m long



KRA3

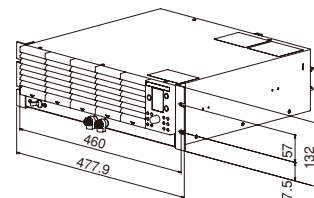
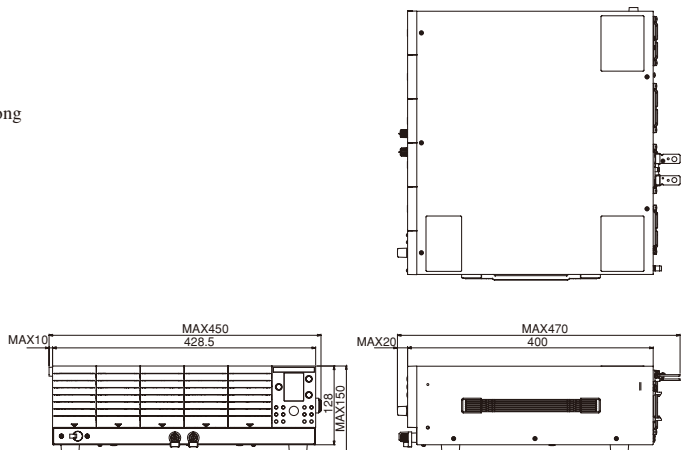


KRA150

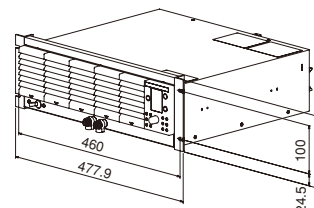
1600W TYPE

PWR1600L/PWR1600M/PWR1600H

- Output (Rear) M8
- (Front) M6
- Input Terminal M4
- Accessory power cable approx. 3m long



KRB3-TOS



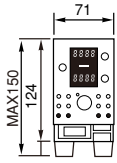
KRB150-TOS

PAS Series External dimensional diagrams / Rack Mount Option

Unit:mm

TYPE I

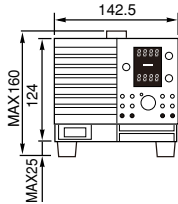
PAS10-35/PAS20-18
PAS40-9/PAS60-6
PAS80-4.5/PAS160-2
PAS320-1/PAS500-0.6



Output M8 bolt
Input AC inlet
Attached power cable SVT3 18AWG 3P plug, with connector Cable length 2.4m

TYPE II

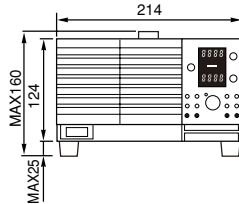
PAS10-70/PAS20-36
PAS40-18/PAS60-12
PAS80-9/PAS160-4
PAS320-2/PAS500-1.2



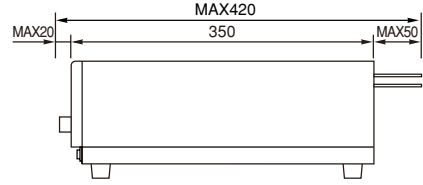
Output M8 bolt
Input AC inlet
Attached power cable SVT3 18AWG 3P plug, with connector Cable length 2.4m

TYPE III

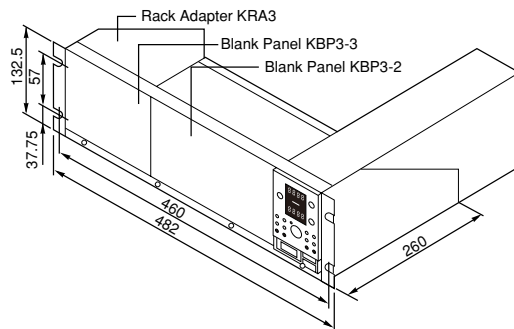
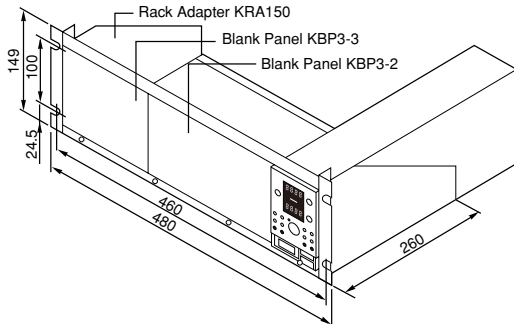
PAS10-105/PAS20-54
PAS40-27/PAS60-18
PAS80-13.5/PAS160-6
PAS320-3/PAS500-1.8



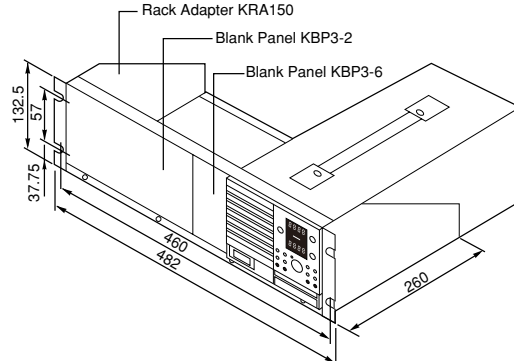
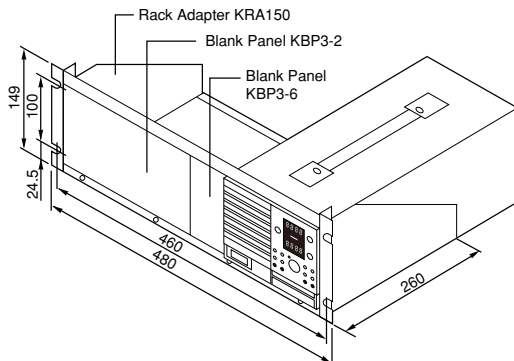
Output M8 bolt
Input Terminal M4
Attached power cable VCT3 3.5 mm2 plug, without connector Cable length 3m



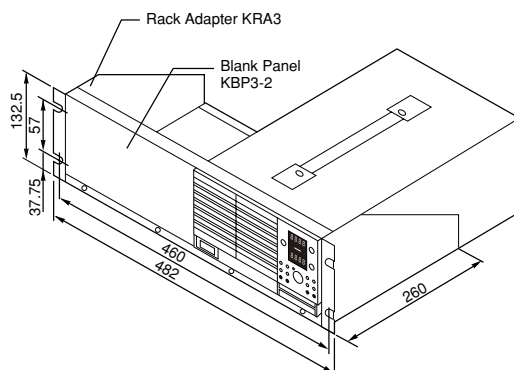
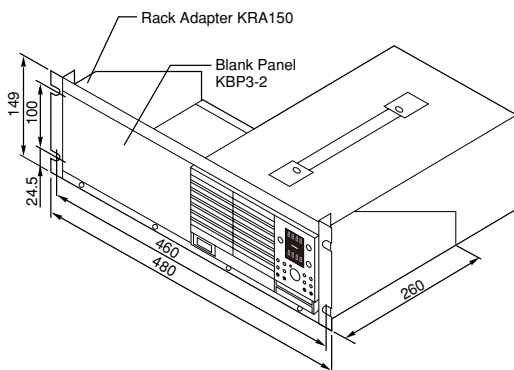
TYPE I (6 units can be rack mounted)



TYPE II (3 units can be rack mounted)



TYPE III (2 units can be rack mounted)

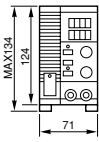


PAK-A Series External dimensional diagrams / Rack Mount Option

Unit:mm

TYPE I

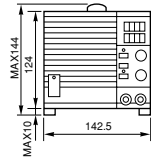
PAK6-60A☆
PAK20-18A
PAK35-10A
PAK60-6A



Output (Rear) M6 bolt
(Front) Binding post M6
Input Terminal M4
Attached power cable
3-wire 18AWG, approx. 2.5m long

TYPE II

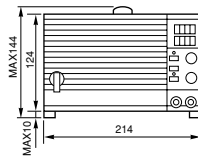
PAK6-120A☆
PAK35-20A
PAK60-12A



Output (Rear) M6 bolt
(Front) Binding post M6
Input Terminal M4
Attached power cable
3-wire 3.5mm², approx. 2.5m long

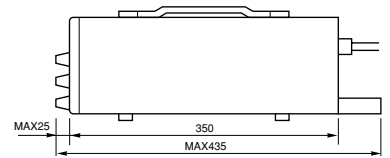
TYPE III

PAK6-160A☆
PAK35-30A
PAK60-18A

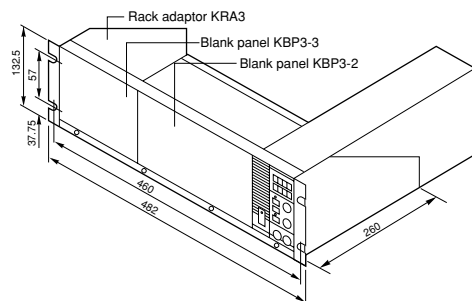
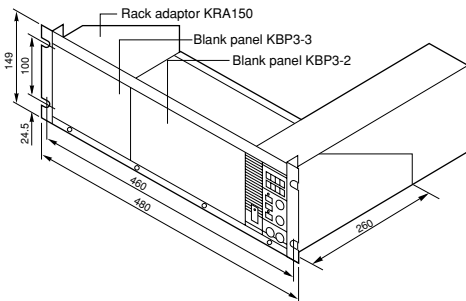


Output (Rear) M8 bolt
(Front) Binding post M6
Input Terminal M4
Attached power cable
3-wire 3.5mm², approx. 2.5m long

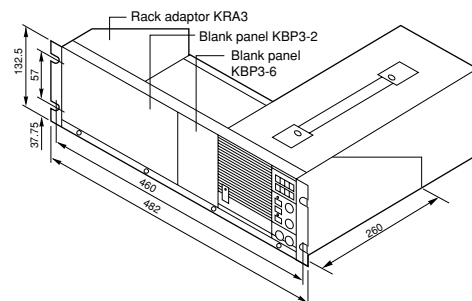
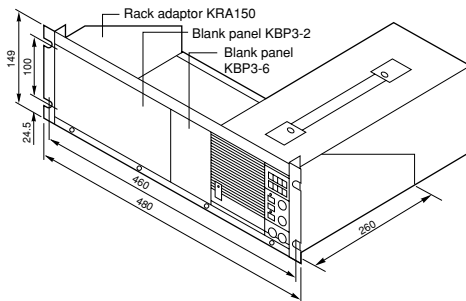
*Those models indicated with a "☆" are not equipped with an output terminal on the front panel.



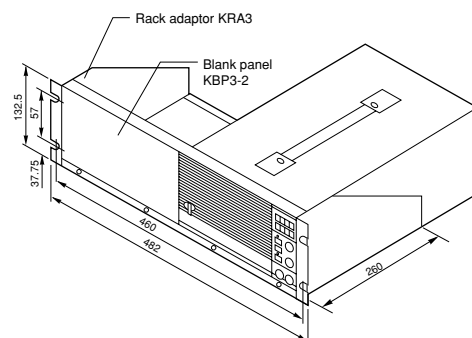
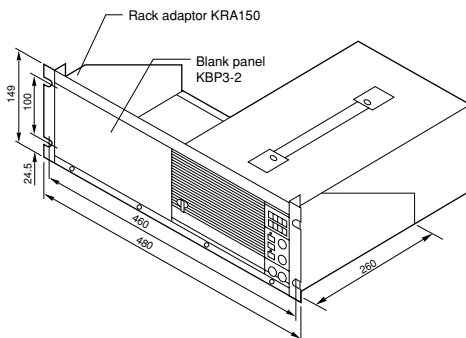
TYPE I (6 units can be rack mounted)



TYPE II (3 units can be rack mounted)



TYPE III (2 units can be rack mounted)



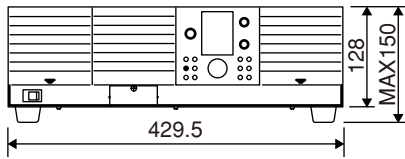
PAM Series External dimensional diagrams / Rack Mount Option

Unit:mm

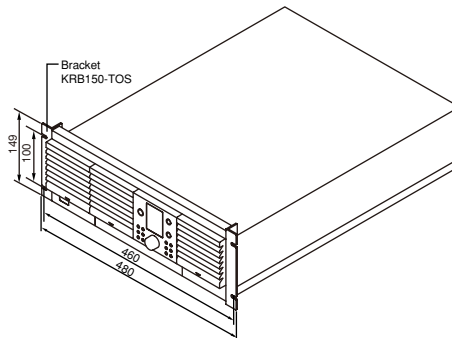
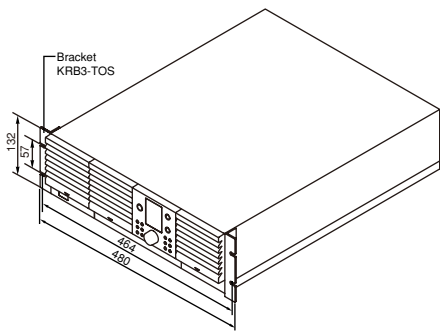
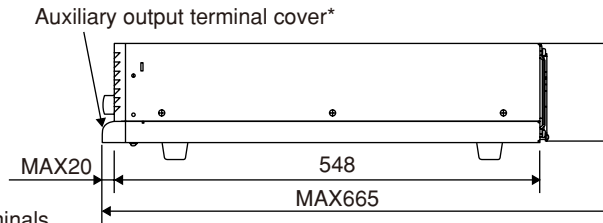
■ 2kW TYPE

PAM40-50/PAM80-25

PAM160-12/PAM320-6



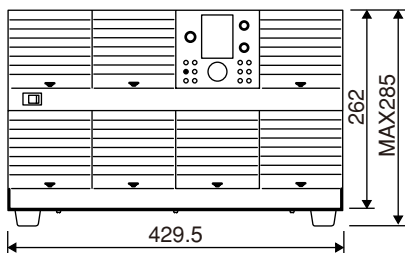
* PAM40-50 does not have auxiliary output terminals.



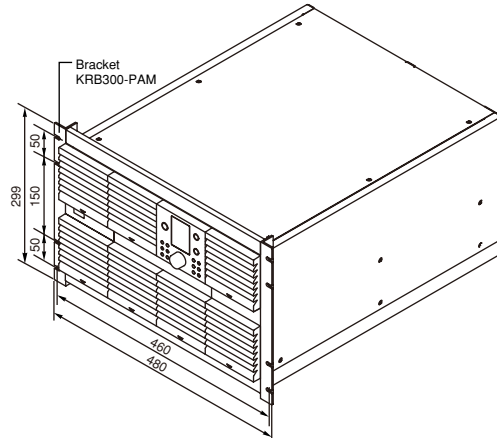
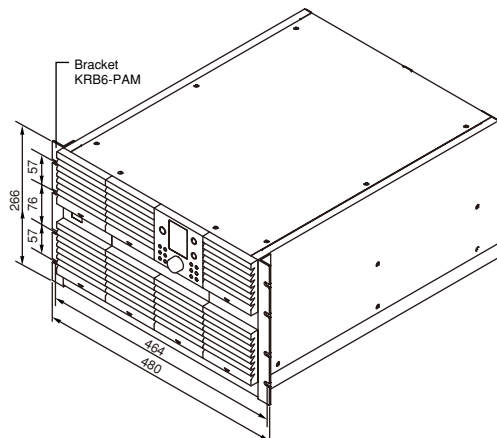
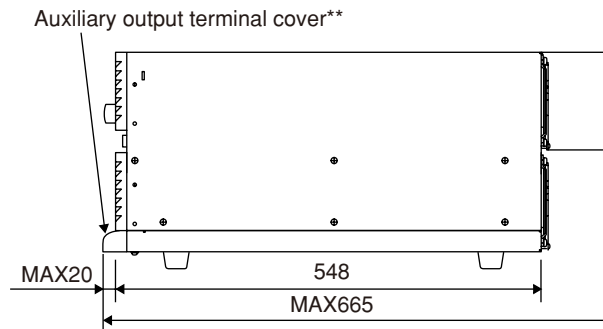
■ 4kW TYPE

PAM40-100/PAM80-50

PAM160-25/PAM320-12

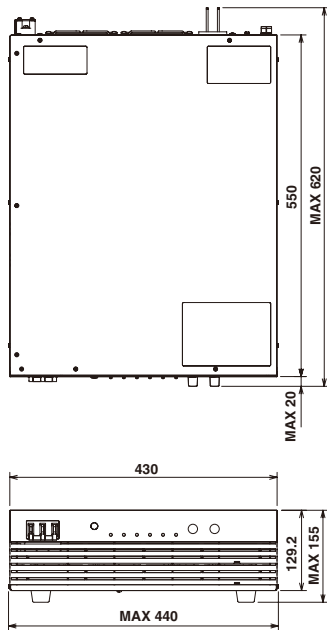


** PAM40-100 and PAM80-50 do not have auxiliary output terminals.

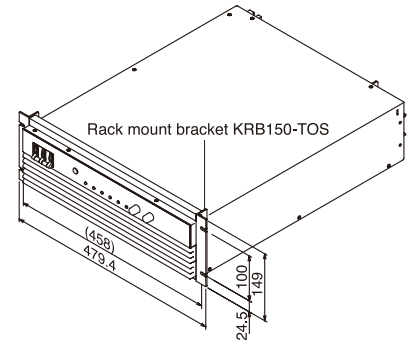
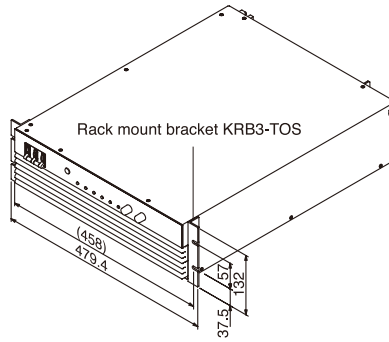


PAT-T Series External dimensional diagrams / Rack Mount Option

Unit:mm



Output PAT20-400T : M12
 PAT40-200T : M10
 PAT60-133T : M10
 Input Terminal M6



PMC/PMC-A Series External dimensional diagrams / Rack Mount Option

(4 units can be rack mounted)

Unit:mm

TYPE I (PMC Series)

PMC18-2/PMC18-3
 PMC35-1/PMC35-2

TYPE II (PMC Series)

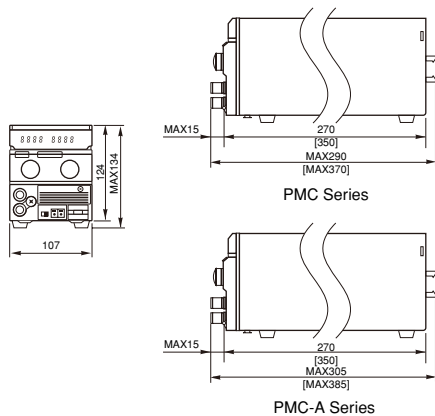
PMC18-5/PMC35-3

TYPE I (PMC-A Series)

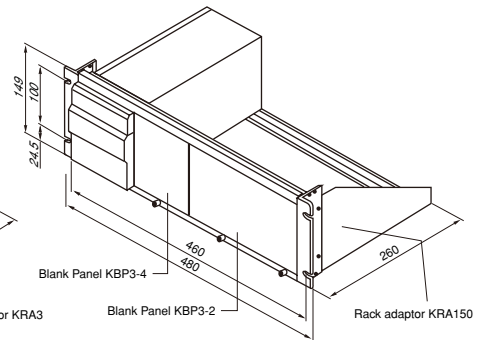
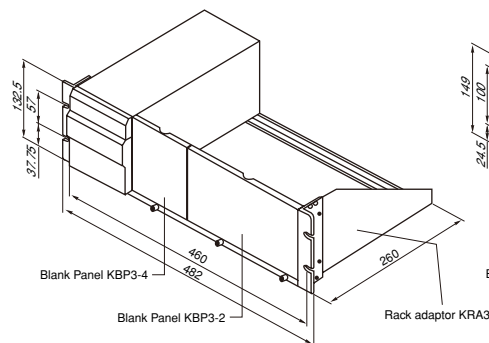
PMC18-1A/PMC18-2A
 PMC18-3A/PMC35-0.5A
 PMC35-1A/PMC35-2A

TYPE II (PMC-A Series)

PMC18-5A/PMC35-3A
 PMC70-1A/PMC110-0.6A
 PMC160-0.4A/PMC250-0.25A
 PMC350-0.2A/PMC500-0.1A



Dimensional Drawings [] for Type II



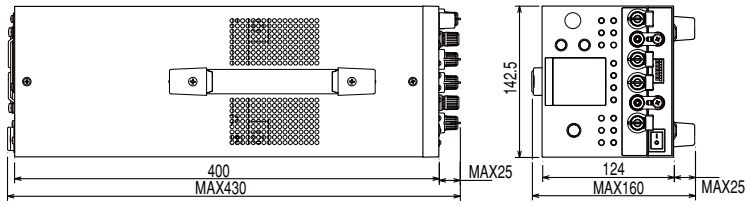
Output (Front) Binding post M6
 Input AC inlet
 Accessory power cable
 approx. 2.5m long

PMP Series External dimensional diagrams / Rack Mount Option

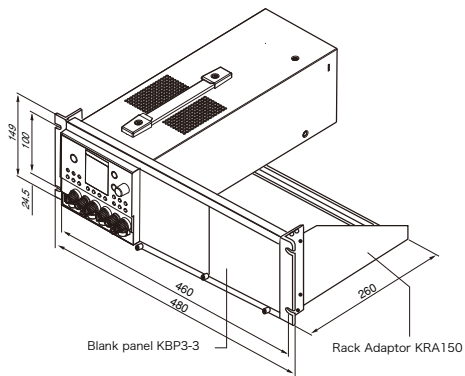
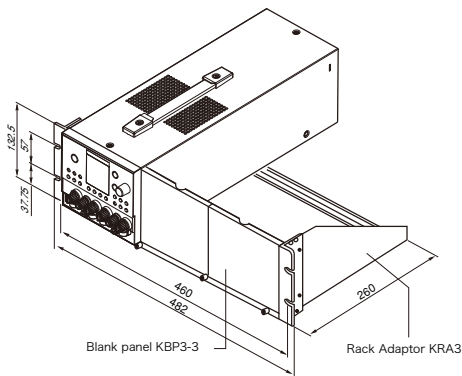
(3 units can be rack mounted)

Unit:mm

PMP18-3TR
PMP25-2TR
PMP16-1QU



Output (Front) Binding post M6
Input AC inlet
Accessory power cable approx. 2.5m long

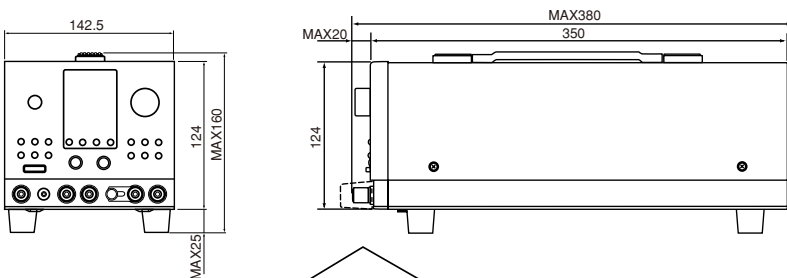


PMR Series External dimensional diagrams / Rack Mount Option

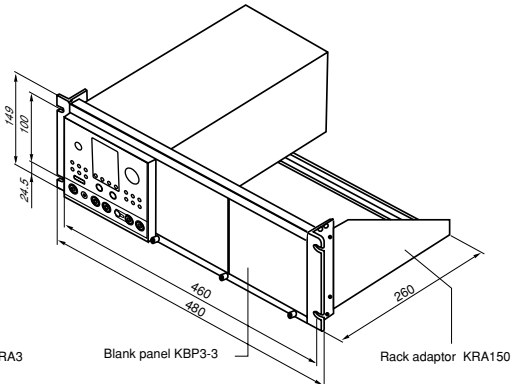
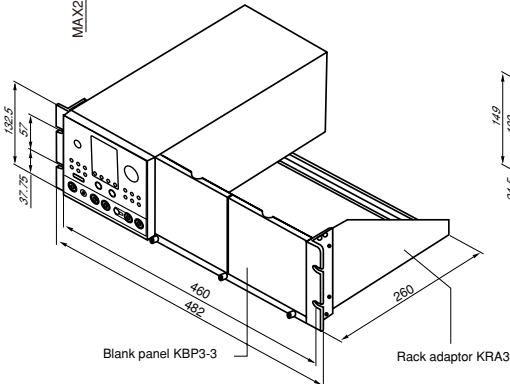
(3 units can be rack mounted)

Unit:mm

PMR18-2.5DU/PMR35-1.2DU
PMR18-1.3TR/PMR25-1TR
PMR24-1QU



Output (Front) Binding post M6
Input AC inlet
Accessory power cable approx. 2.5m long



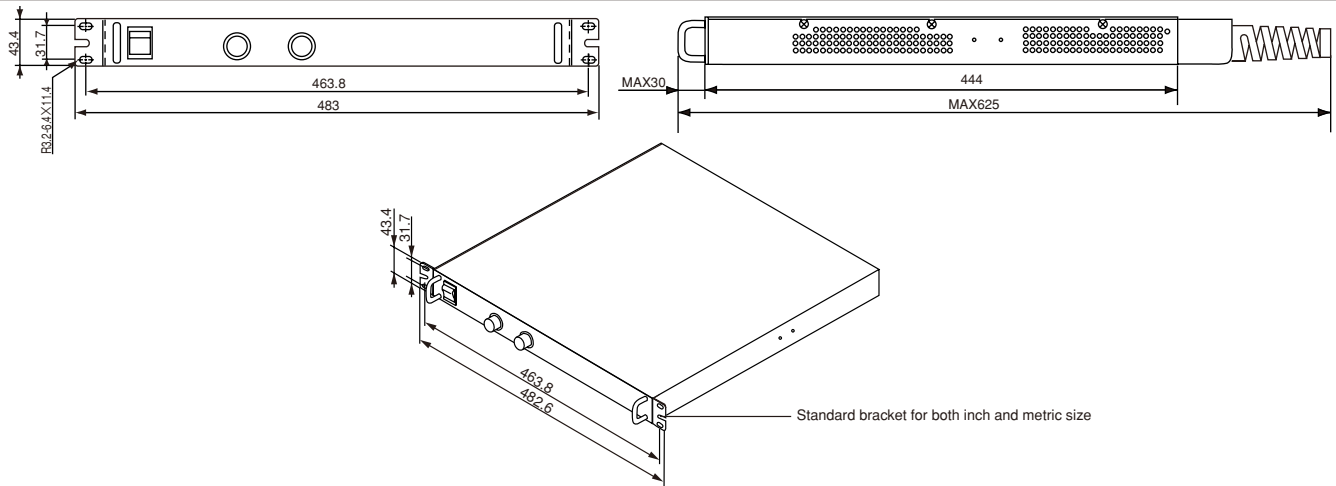
PVS Series External dimensional diagrams / Rack Mount Option

Unit:mm

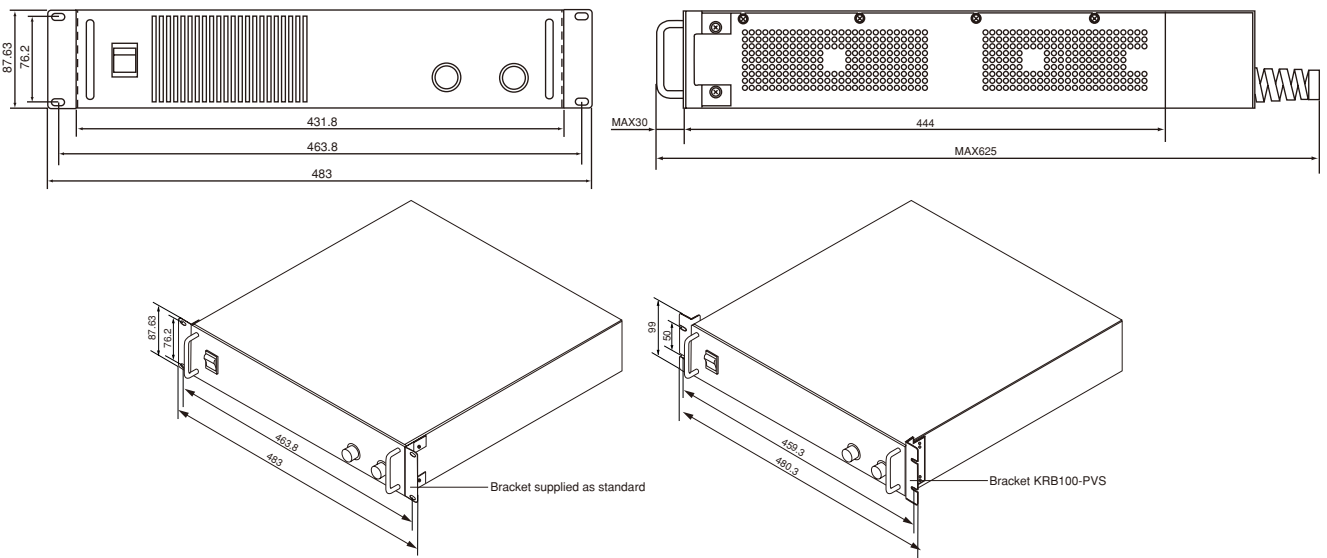
Model	TYPE	Dimensions(Max):WXHXDmm*	Input terminal	Output terminal	Input power cable [standard]
PVS7.5-140	1200W TYPE	429(483) X43.4X 444(625)	three-terminal wire clamping connector	Steel bus bar	3X12AWG, Approx.3m
PVS12-100	1200W TYPE	429(483) X43.4X 444(625)	three-terminal wire clamping connector	Steel bus bar	3X12AWG, Approx.3m
PVS20-60	1200W TYPE	429(483) X43.4X 444(625)	three-terminal wire clamping connector	Steel bus bar	3X12AWG, Approx.3m
PVS40-30	1200W TYPE	429(483) X43.4X 444(625)	three-terminal wire clamping connector	Steel bus bar	3X12AWG, Approx.3m
PVS60-20	1200W TYPE	429(483) X43.4X 444(625)	three-terminal wire clamping connector	Four-terminal wire clamping connector	3X12AWG, Approx.3m
PVS100-12	1200W TYPE	429(483) X43.4X 444(625)	three-terminal wire clamping connector	Four-terminal wire clamping connector	3X12AWG, Approx.3m
PVS150-8	1200W TYPE	429(483) X43.4X 444(625)	three-terminal wire clamping connector	Four-terminal wire clamping connector	3X12AWG, Approx.3m
PVS300-4	1200W TYPE	429(483) X43.4X 444(625)	three-terminal wire clamping connector	Four-terminal wire clamping connector	3X12AWG, Approx.3m
PVS600-2	1200W TYPE	429(483) X43.4X 444(625)	three-terminal wire clamping connector	Four-terminal wire clamping connector	3X12AWG, Approx.3m
PVS7.5-300	2800W TYPE	431.8(483) X87.63X444(625)	three-terminal wire clamping connector	Steel bus bar	3X12AWG, Approx.3m
PVS12-220	2800W TYPE	431.8(483) X87.63X444(625)	three-terminal wire clamping connector	Steel bus bar	3X12AWG, Approx.3m
PVS20-130	2800W TYPE	431.8(483) X87.63X444(625)	three-terminal wire clamping connector	Steel bus bar	3X12AWG, Approx.3m
PVS40-70	2800W TYPE	431.8(483) X87.63X444(625)	three-terminal wire clamping connector	Steel bus bar	3X12AWG, Approx.3m
PVS60-46	2800W TYPE	431.8(483) X87.63X444(625)	three-terminal wire clamping connector	Steel bus bar	3X12AWG, Approx.3m
PVS100-28	2800W TYPE	431.8(483) X87.63X444(625)	three-terminal wire clamping connector	Steel bus bar	3X12AWG, Approx.3m
PVS150-18	2800W TYPE	431.8(483) X87.63X444(625)	three-terminal wire clamping connector	Four-terminal wire clamping connector	3X12AWG, Approx.3m
PVS300-9	2800W TYPE	431.8(483) X87.63X444(625)	three-terminal wire clamping connector	Four-terminal wire clamping connector	3X12AWG, Approx.3m
PVS600-4	2800W TYPE	431.8(483) X87.63X444(625)	three-terminal wire clamping connector	Four-terminal wire clamping connector	3X12AWG, Approx.3m

* Values in parentheses indicate the maximum dimensions including protrusions such as brackets. Standard bracket for the inch size.

1200W TYPE



2800W TYPE



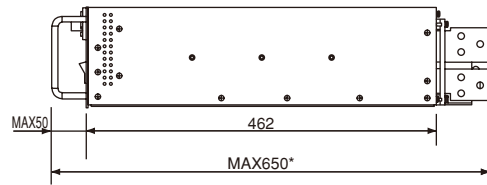
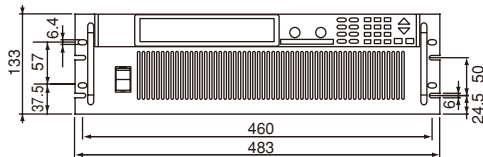
PVD-T Series External dimensional diagrams / Rack Mount Option

Unit:mm

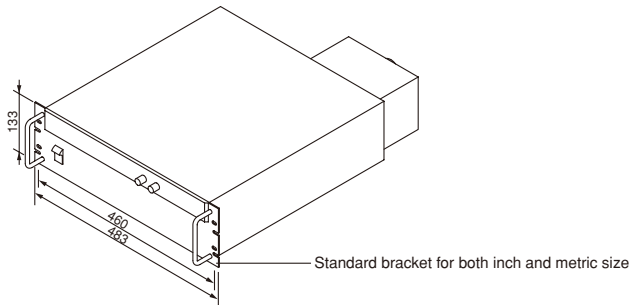
Model	TYPE	Dimensions(Max):WxHxDmm*	Input terminal	Output terminal	Input power cable [standard]
PVD10-600T	6kW TYPE	483 × 133 × 462(650)	The terminals with the type of tighten screws	M8	10,3m
PVD20-300T	6kW TYPE	483 × 133 × 462(650)	The terminals with the type of tighten screws	M8	10,3m
PVD40-150T	6kW TYPE	483 × 133 × 462(650)	The terminals with the type of tighten screws	M8	10,3m
PVD60-100T	6kW TYPE	483 × 133 × 462(650)	The terminals with the type of tighten screws	M8	10,3m
PVD80-75T	6kW TYPE	483 × 133 × 462(650)	The terminals with the type of tighten screws	M8	10,3m
PVD100-60T	6kW TYPE	483 × 133 × 462(650)	The terminals with the type of tighten screws	The terminals with the type of tighten screws	10,3m
PVD150-40T	6kW TYPE	483 × 133 × 462(650)	The terminals with the type of tighten screws	The terminals with the type of tighten screws	10,3m
PVD300-20T	6kW TYPE	483 × 133 × 462(585)	The terminals with the type of tighten screws	The terminals with the type of tighten screws	10,3m
PVD600-10T	6kW TYPE	483 × 133 × 462(585)	The terminals with the type of tighten screws	The terminals with the type of tighten screws	10,3m
PVD10-1200T	12kW TYPE	483 × 263 × 462(615)	The terminals with the type of tighten screws	M8	13,3,3m
PVD20-600T	12kW TYPE	483 × 263 × 462(615)	The terminals with the type of tighten screws	M8	13,3,3m
PVD40-300T	12kW TYPE	483 × 263 × 462(615)	The terminals with the type of tighten screws	M8	13,3,3m
PVD60-200T	12kW TYPE	483 × 263 × 462(615)	The terminals with the type of tighten screws	M8	13,3,3m
PVD80-150T	12kW TYPE	483 × 263 × 462(615)	The terminals with the type of tighten screws	M8	13,3,3m
PVD100-120T	12kW TYPE	483 × 263 × 462(615)	The terminals with the type of tighten screws	The terminals with the type of tighten screws	13,3,3m
PVD150-80T	12kW TYPE	483 × 263 × 462(615)	The terminals with the type of tighten screws	The terminals with the type of tighten screws	13,3,3m
PVD300-40T	12kW TYPE	483 × 263 × 462(615)	The terminals with the type of tighten screws	The terminals with the type of tighten screws	13,3,3m
PVD600-20T	12kW TYPE	483 × 263 × 462(615)	The terminals with the type of tighten screws	The terminals with the type of tighten screws	13,3,3m

* Values in parentheses indicate the maximum dimensions including protrusions such as brackets. Standard bracket for the inch size.

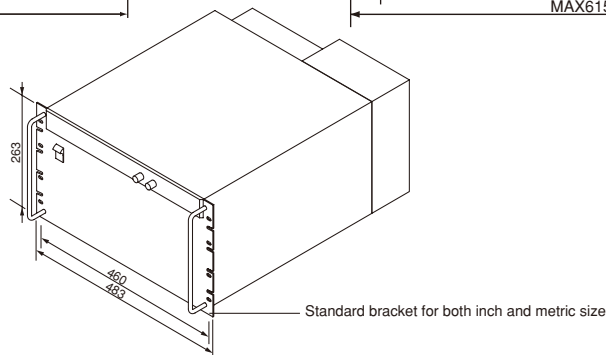
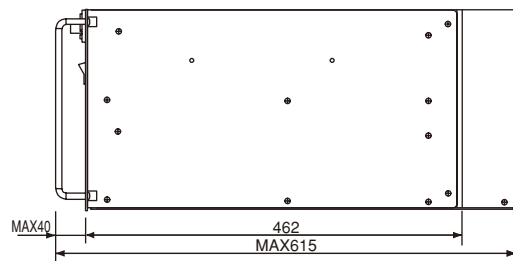
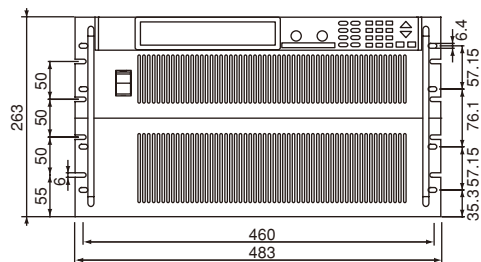
6kW TYPE



*The maximum depth of PVD300-20T and PVD600-10T is 585mm.



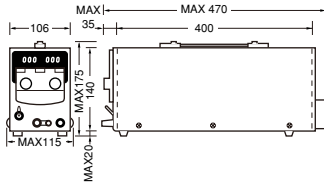
12kW TYPE



PAN-A Series External dimensional diagrams / Rack Mount Option

175W TYPE (TYPE 0) (4 units can be rack mounted)

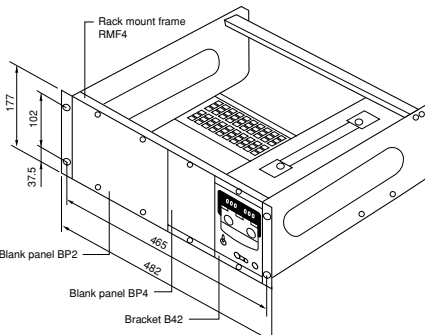
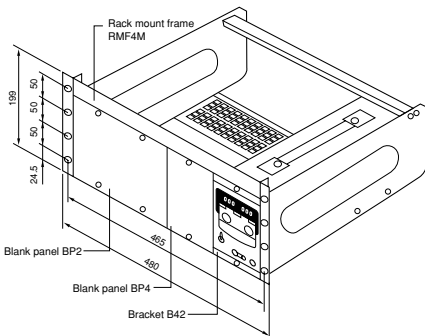
PAN16-10A/PAN35-5A
PAN60-3A/PAN70-2.5A
PAN110-1.5A/PAN160-1A



Output (Rear) Terminal M4
(Front) Binding post M6
(auxiliary output terminal)

Input AC inlet

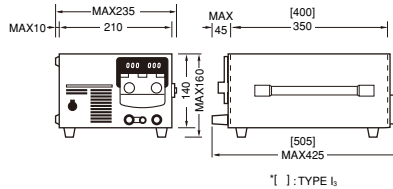
Attached power cable
SVT3 × 18AWG, approx. 3m long,
with 3P plug



350W TYPE (TYPE I₂)/ 700W TYPE (TYPE I₃) (2 units can be rack mounted)

350W TYPE 700W TYPE

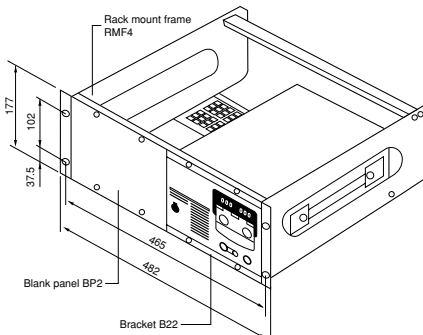
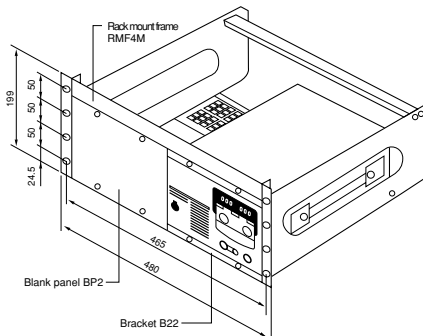
PAN16-18A/PAN35-10A PAN16-30A/PAN35-20A
PAN60-6A/PAN70-5A PAN60-10A/PAN70-8A
PAN110-3A/PAN160-2A PAN110-5A/PAN160-3.5A
PAN250-2.5A



Output (Rear) Terminal M4
(Front) Binding post M8
(auxiliary output terminal)

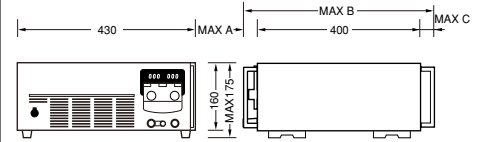
Input 350W Type: AC inlet
700W Type: Terminal M4

Attached power cable
350W Type: SVT3 × 18AWG, approx. 3 m long,
with 3P plug
700W Type: Nominal sectional area 2.0 SQ. mm,
cable, with 3P plug, approx. 3m long
(For PAN35-20A: Nominal sectional area 3.5 SQ. mm, cable,
approx. 3m long)



1000W TYPE (TYPE II) Unit:mm

PAN16-50A/PAN35-30A
PAN60-20A/PAN70-15A
PAN110-10A/PAN160-7A
PAN250-4.5A/PAN350-3.5A
PAN600-2A



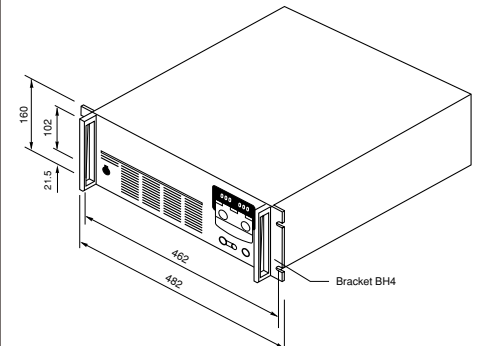
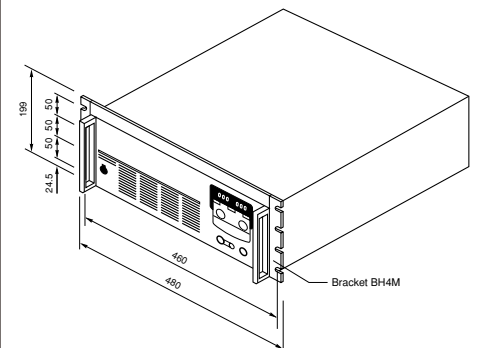
MODEL	MAX A	MAX B	MAX C
PAN16-50A	40	500	60
PAN35-30A			
PAN60-20A			
PAN70-15A			
PAN110-10A	45	505	60
PAN160-7A			
PAN250-4.5A			
PAN350-3.5A			
PAN600-2A			

Output (Rear) Terminal M4 (M5 for PAN16-50A)
(Front) Binding post M8
(auxiliary output terminal)

Input Terminal M4

Attached power cable
Nominal sectional area 3.5 SQ. mm,
cable, without plug, approx. 3 m long)

Note: There is no auxiliary output terminal, on the front panel of Model PAN16-50A.



PAD-L/LP Series External dimensional diagrams / Rack Mount Option

*Mounting precaution

Since there are forced-air cooling intake holes in the mainframe, when mounting it in the rack, the blank panel at least 1 panel width must be installed.

Unit:mm

■ TYPE V (V₂)

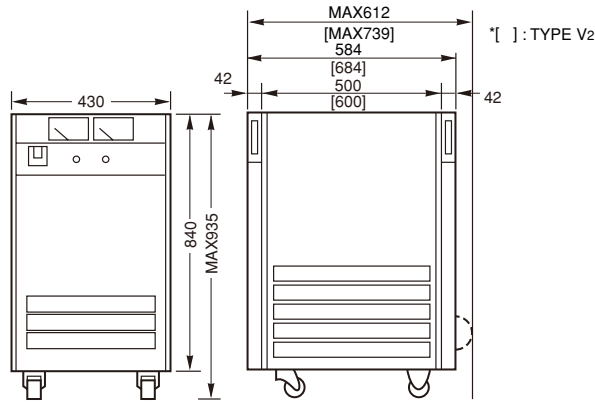
■ TYPE V

PAD35-200L/PAD35-200LT

PAD60-120L/PAD110-60L

■ TYPE V₂

PAD35-300LPT/PAD60-200LPT



- Output Terminal M12 bolt
- Input Terminal M8
(3-phase type: M6)
- Accessory power cable
3-wire 14mm², approx. 4m long
(3-phase type: 4-wire 14mm², 4m*)
- *35-200LT: 4-wire 8mm² 4m
- *PAD110-60L: Output Terminal M6 bolt
Input Terminal M6

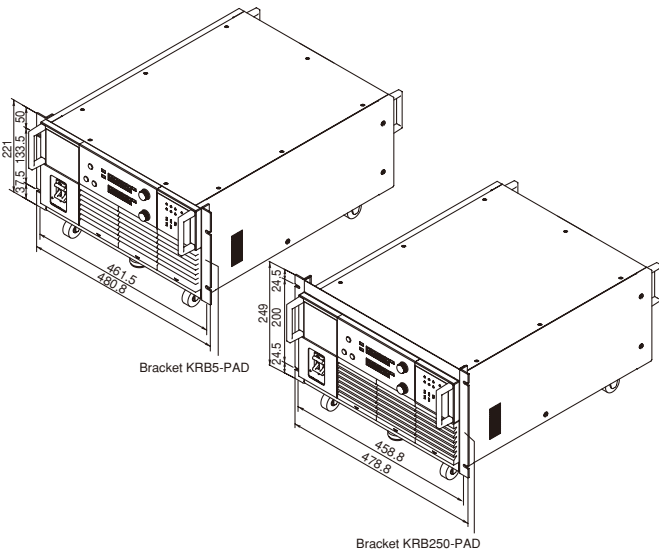
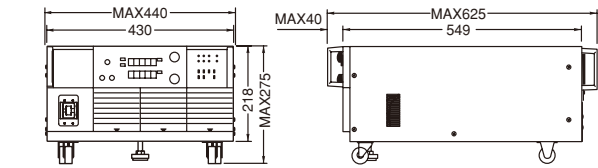
PAD-LA Series External dimensional diagrams / Rack Mount Option

■ TYPE III

PAD16-100LA/PAD36-60LA

PAD60-35LA/AD72-30LA

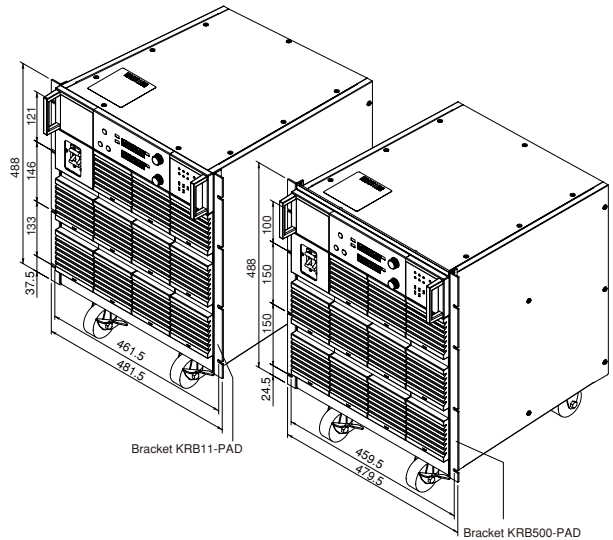
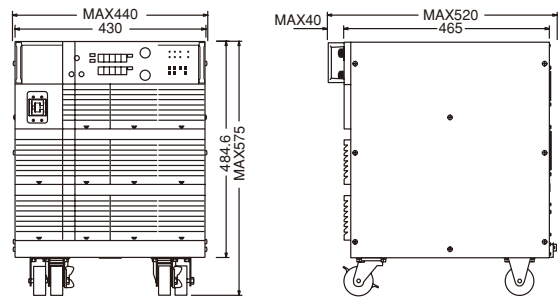
PAD110-20LA/PAD250-8LA



■ TYPE IV

PAD36-100LA/PAD60-60LA

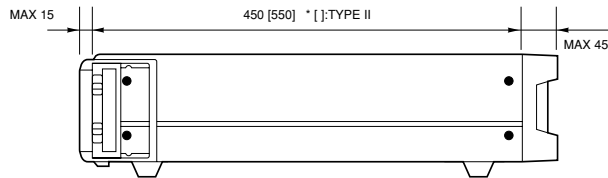
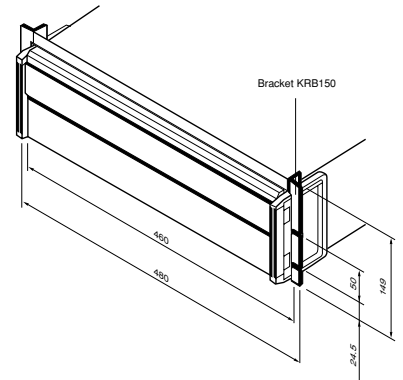
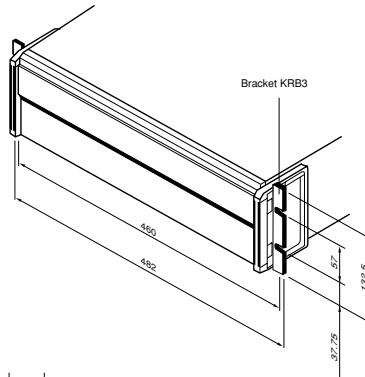
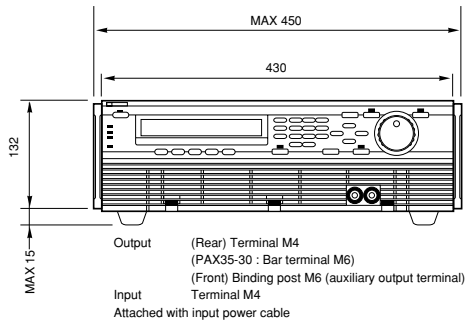
PAD110-32LA/PAD250-15LA



PAX and PBX Series External dimensional diagrams / Rack Mount Option

Unit:mm

- TYPE I
- PAX35-10
- PBX20-5
- PBX40-2.5
- TYPE II
- PAX35-20
- PAX35-30
- PBX20-10
- PBX20-20
- PBX40-5
- PBX40-10



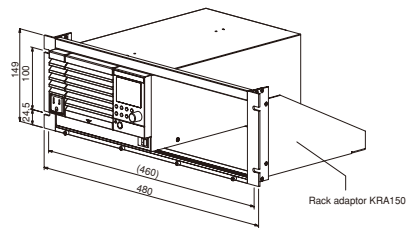
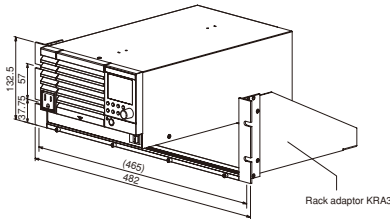
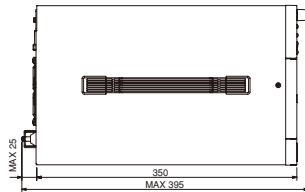
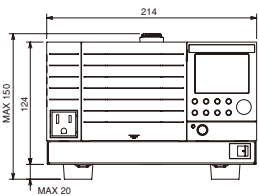
PCR-M Series External dimensional diagrams / Rack Mount Option

Unit:mm

- PCR500M (2 units can be rack mounted)

Output (Front) Outlet
(Rear) Terminal M4

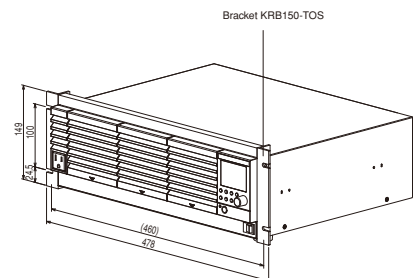
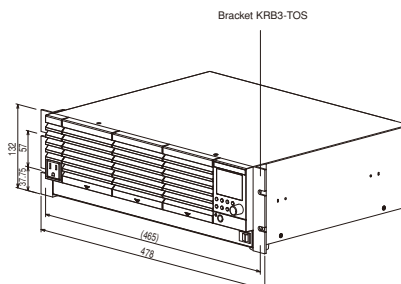
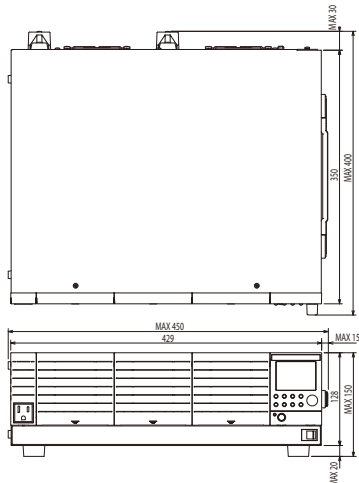
Input Terminal M4
Accessory power cable
approx. 2.4m long



- PCR1000M/PCR2000M(Example : PCR1000M)

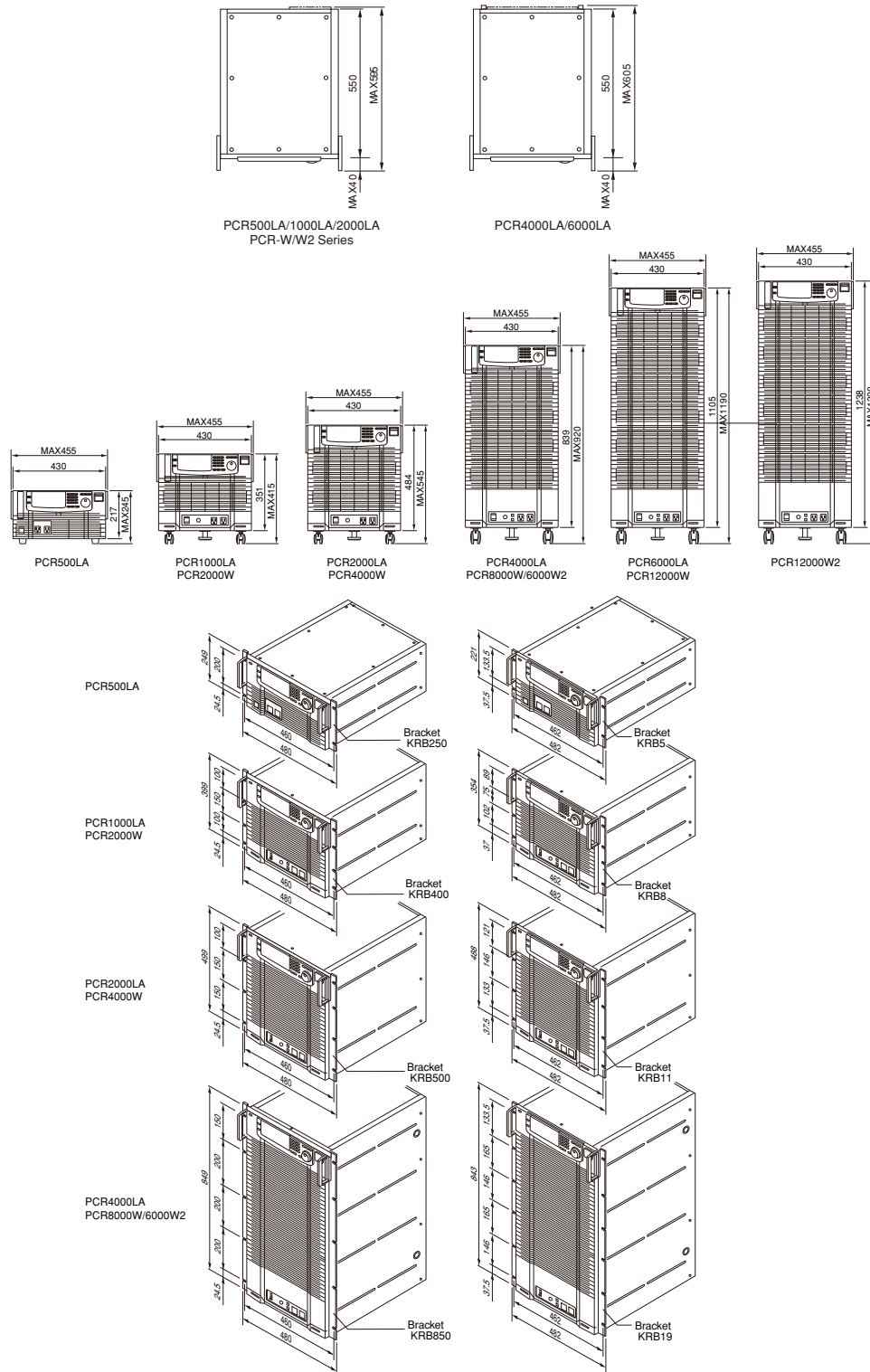
Output (Front) Outlet
(Rear) Terminal M4

Input Terminal M4
Accessory power cable
approx. 3m long



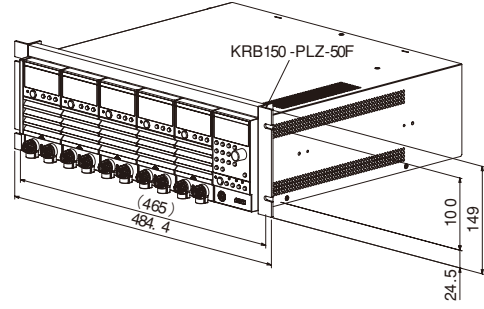
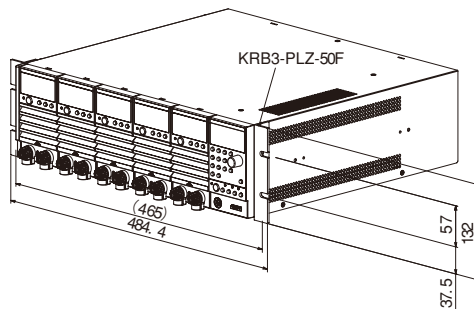
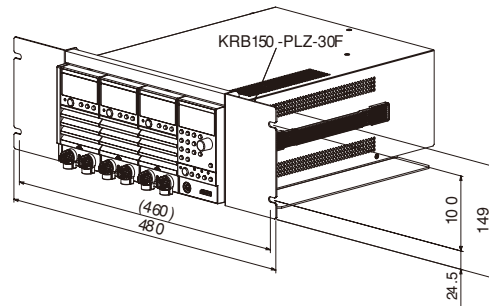
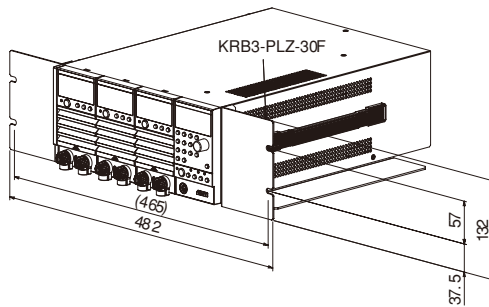
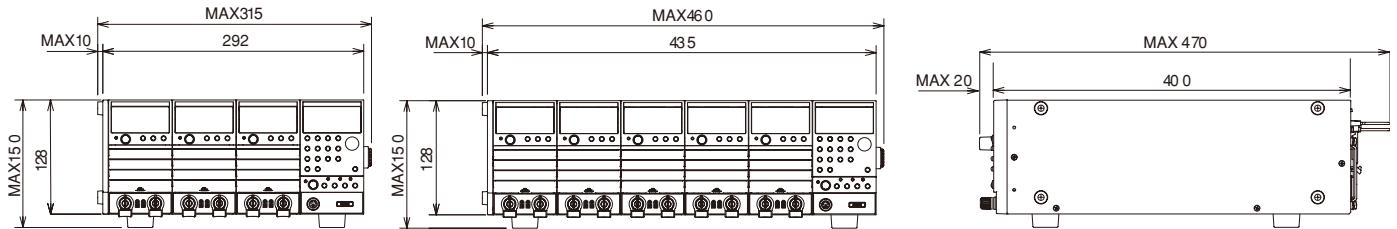
PCR-LA and PCR-W/W2 Series External dimensional diagrams / Rack Mount Option

Model	Dimensions(Max):W×H×Dmm	Input terminal	Output terminal	Input power cable [standard accessory]	Unit:mm
PCR500LA	430(455) × 217(245) × 550(595)	(Inlet)	M4	Exclusive designed cable , 2 mm ² /3 m with a threepronged plug	
PCR1000LA	430(455) × 351(415) × 550(595)	M6	M6	Three-core heavy PVC jacketed cable , 5.5 mm ² /3 m	
PCR2000LA	430(455) × 484(545) × 550(595)	M6	M6	Single-core , 8 mm ² /3 m	
PCR4000LA	430(455) × 839(920) × 550(605)	M6	M6	Single-core , 22 mm ² /3 m	
PCR6000LA	430(455) × 1105(1190) × 550(605)	M6	M6	Single-core , 22 mm ² /3 m	
PCR2000W	430(450) × 351(415) × 550(595)	M6	M6	Single-core , 5.5mm ² , approx. 3m	
PCR4000W	430(450) × 484(545) × 550(595)	M6	M6	Single-core , 14mm ² , approx. 3m	
PCR8000W	430(450) × 839(920) × 550(595)	M6	M6	Single-core , 14mm ² , approx. 3m	
PCR12000W	430(450) × 1105(1190) × 550(595)	M8	M8	Single-core , 22mm ² , approx. 3m	
PCR6000W2	430(450) × 839(920) × 550(595)	M6	M6 · M6	Single-core , 14mm ² , approx. 5m	
PCR12000W2	430(450) × 1238(1320) × 550(595)	M8	M8 · M6	Single-core , 22mm ² , approx. 5m	



PLZ-U Series External dimensional diagrams / Rack Mount Option

Unit:mm

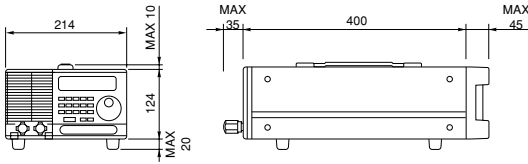


- DC input terminals
 - (Rear) M6
 - (Front) M6
- Input AC inlet
- Attached power cable
 - SVT3 18AWG 3P plug,
 - Cable length 2.4m

PLZ-3WH and PLZ-4W Series External dimensional diagrams / Rack Mount Option

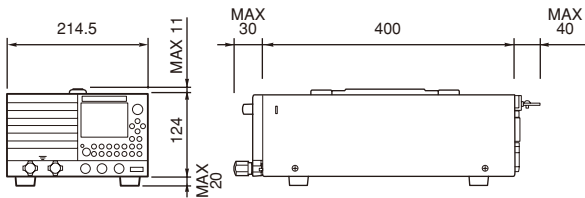
Unit:mm

■ TYPE I (PLZ-3WH Series)
(2 units can be rack mounted)
PLZ153WH / PLZ303WH



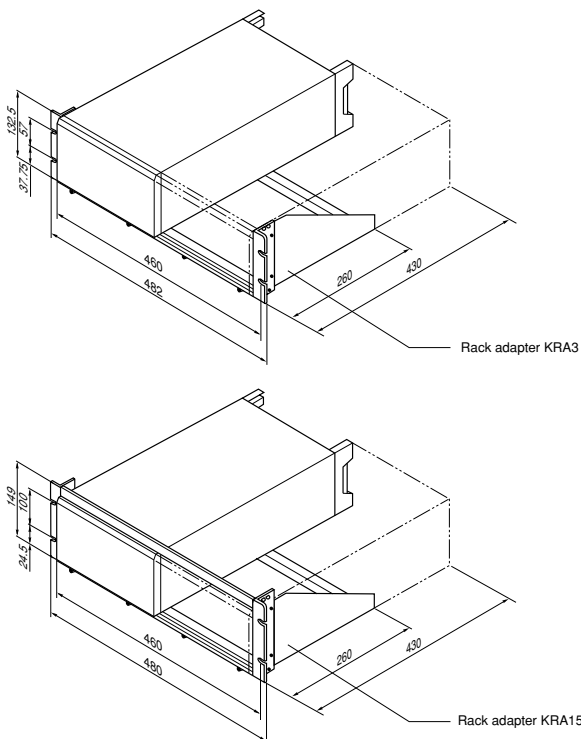
DC input terminals
(Rear) M6
(Front) M6
Input AC inlet
Provided with a power cable with three-pronged power plug

■ TYPE I (PLZ-4W Series)
(2 units can be rack mounted)
PLZ164W/PLZ334W/PLZ164WA



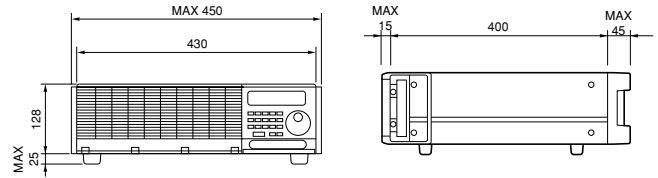
DC input terminals
(Rear) M8
(Front) M6
Input AC inlet

■ TYPE I (PLZ-3WH and PLZ-4W Series)



■ TYPE II (PLZ-3WH Series)

PLZ603WH / PLZ1003WH

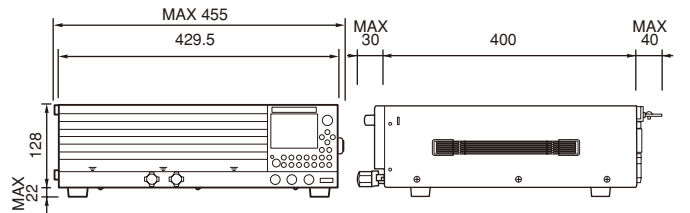


DC input terminals
(Rear) M8
Input AC inlet
Provided with a power cable with three-pronged power plug

■ TYPE II (PLZ-4W Series)

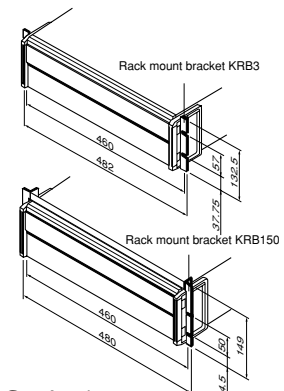
*The length for Model PLZ2004WB is 550(600)mm

PLZ1004W/PLZ664WA

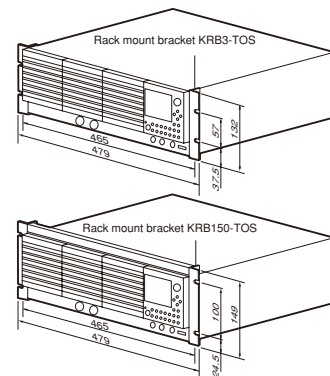


DC input terminals
(Rear) M8
(Front) M6
PLZ2004WB
DC input terminals
(Rear) M12
Input AC inlet

■ TYPE II (PLZ-3WH Series)



■ TYPE II (PLZ-4W Series)



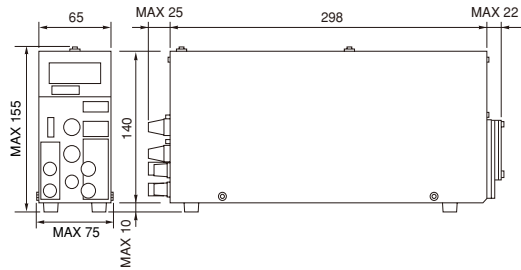
* The front panel for Model PLZ2004WB is designed differently, but external size is the same

PLZ-W2 Series External dimensional diagrams / Rack Mount Option

Unit:mm

Mounting precaution : Since there are forced-air cooling intake holes in the mainframe, when mounting in the rack, the blank panel at least one panel width must be installed.

■ PLZ72W (6 units can be rack mounted)

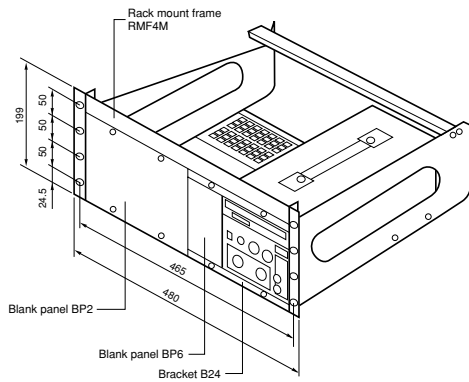
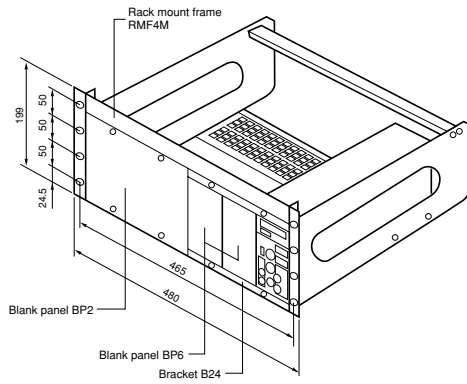


DC input terminals

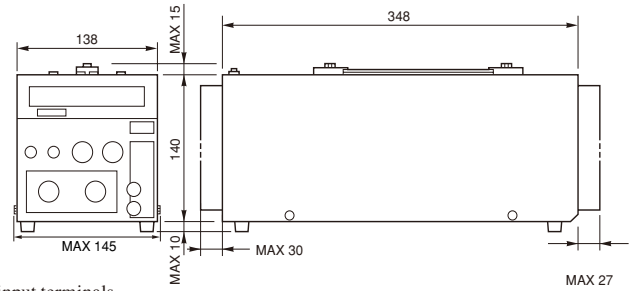
(Rear) Terminal M3

(Front) Binding post M6

Input AC cable



■ PLZ152W (3 units can be rack mounted)

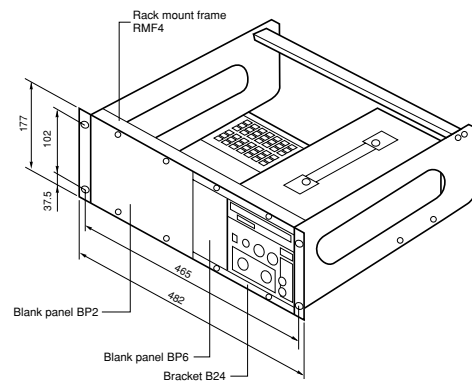
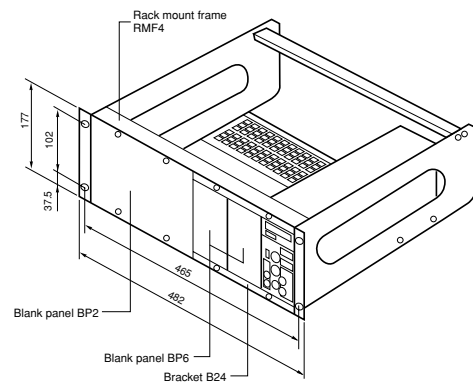


DC input terminals

(Rear) Terminal M5

(Front) Binding post M8

Input AC cable





KIKUSUI ELECTRONICS CORPORATION

1-1-3, Higashiyamata, Tsuzuki-ku, Yokohama, 224-0023, Japan
Phone: (+81) 45-593-7570, Facsimile: (+81) 45-593-7571, www.kikusui.co.jp

KIKUSUI AMERICA, INC. 1-877-876-2807 | www.kikusuiamerica.com



1633 Bayshore Highway, Suite 331, Burlingame, CA 94010
Phone : 650-259-5900 Facsimile : 650-259-5904

KIKUSUI TRADING (SHANGHAI) Co., Ltd. | www.kikusui.cn



Room, D-01,11F, Majesty Bld, No.138, Pudong Ave, Shanghai City
Phone : 021-5887-9067 Facsimile : 021-5887-9069

For our local sales distributors and representatives, please refer to "sales network" of our website.

Printed in Japan

●Distributor/Representative

■ All products contained in this catalogue are equipment and devices that are premised on use under the supervision of qualified personnel, and are not designed or produced for home-use or use by general consumers. ■ Specifications, design and so forth are subject to change without prior notice to improve the quality. ■ Product names and prices are subject to change and production may be discontinued when necessary. ■ Product names, company names and brand names contained in this catalogue represent the respective registered trade name or trade mark. ■ Colors, textures and so forth of photographs shown in this catalogue may differ from actual products due to a limited fidelity in printing. ■ Although every effort has been made to provide the information as accurate as possible for this catalogue, certain details have unavoidably been omitted due to limitations in space. ■ If you find any misprints or errors in this catalogue, it would be appreciated if you would inform us. ■ Please contact our distributors to confirm specifications, price, accessories or anything that may be unclear when placing an order or concluding a purchasing agreement.

Issue:Jun.2009 20090610KCMEC11a